



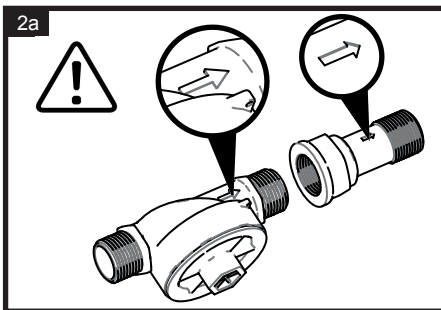
ECO In-Line Meter (base, measuring capsule and dual check valve) **must be installed by a licensed plumber** in accordance with **AS/NZS 3500** and **local government requirements**.



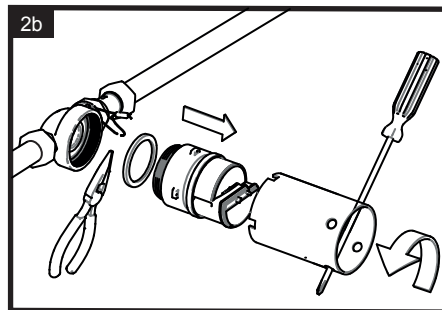
1
Notify all residents.
Turn off main supply.

NEW INSTALLATION

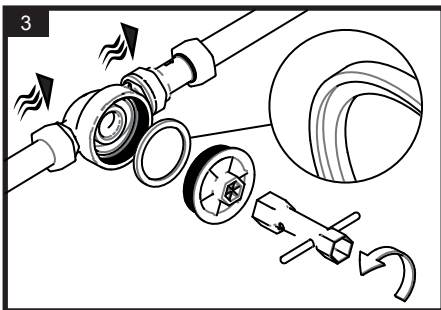
CAPSULE REPLACEMENT



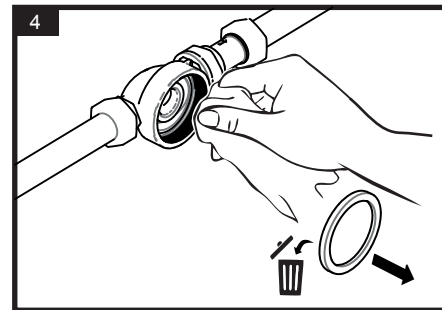
2a
Apply thread seal to the threaded areas.
Fit mini dual check valve to outlet.
⚠ Flow direction must correspond.
Fit assembly onto the supply line.



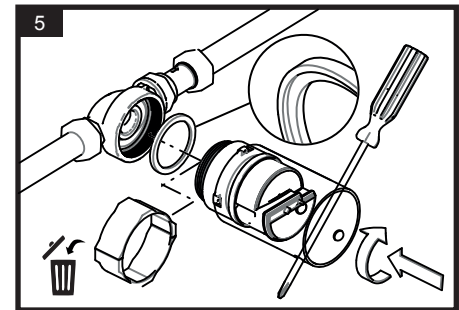
2b
Remove old measuring capsule.



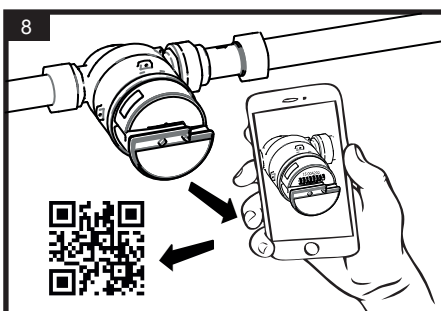
3
Remove protective cap.



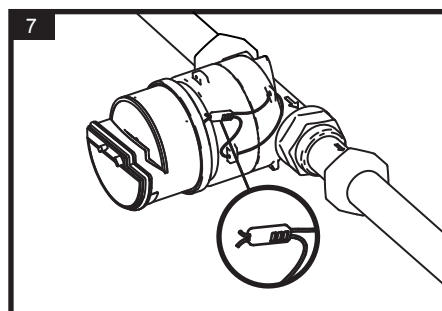
4
Remove and discard seal.
Flush the line and clean the seal area.



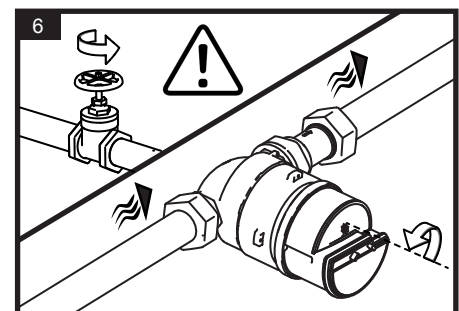
5
Fit new seal - stepped side to the base.
Remove protective ring and cap from new measuring capsule.
Install new measuring capsule.



8
Photograph serial number and reading.
Scan QR Code to submit photo and details.



7
Fit tamper-evident security seal.



6
⚠ Turn on mains supply then valve **slowly** to bleed air / avoid over-speed damage to meter.
Conduct leak check and check operation.